



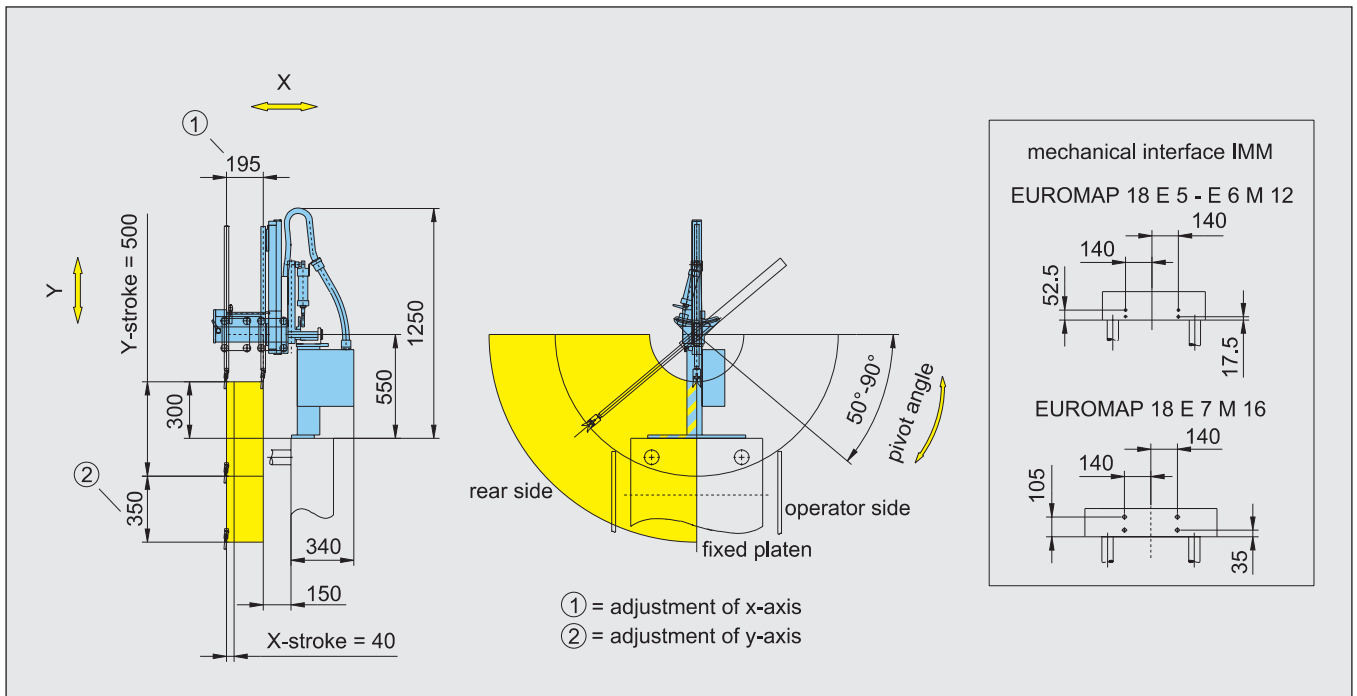
*... Handling for Profit*



# Pick & Place

High-speed  
Sprue Removal-System  
RX 5

# Specification Characteristics RX 5



Model		RX 5
Injection molding machine	tons kN	22 - 440 <sup>1)</sup> 200 - 4.000 <sup>1)</sup>
Demolding stroke X adjustable	inch mm	0 - 1.6 0 - 40
Adjustment of X stroke	inch mm	5.9 - 13.6 150 - 345
Vertical stroke Y	inch mm	19.7 500
Pivot point	inch mm	21.7 (+2/+4) <sup>2)</sup> 550 (+50/+100) <sup>2)</sup>
Adjustment of Y stroke	inch mm	13.8 350
Pivot angle A	degree	±50° - 90°
Drop of sprue		operator/non-operator side
Gripper functions		sprue picker
min. take-out time	s	0.3
min. cycle time	s	3.0
Cycles per minute		20
Working pressure (normal / max.)	PSI bar	87 / 100 6 / 7.5
max. pay load (6 / 7.5 bar)	lbs g	0.2 / 0.3 100 / 125
max. air pressure	PSI bar	135 10
air consumption per cycle	CF NI	0.04 1.2
Power supply		230/110 VAC, 60 Hz, 1 A
Protective system unit/control		IP 30 / IP 32
Weight	lbs kg	approx. 55 approx. 25

The special features of the REMAK pick & place unit RX 5 are:

- REMAK SPS 2000 control, memory max 50 programs with 3 basic programs. The sprues can be dropped either on the operator or non-operator side. Release of sprue with retracted or extended Y-axis. Digital input of times via key pad. Operator panel key pad, 8 keys with LED as operator guidance, 2x 20-digit LCD display, illuminated. All displays, also error displays, in plain text.
- Sprues can be removed from fixed or moving half of the mold. The change-over can be easily performed by the user. Correspondingly, the unit can be changed from drop of sprues on the rear side of machine to drop of sprues on the operator's side.
- The RX 5 unit is fitted as standard with a sprue gripper.
- The advanced waiting position / position for mold closing signal can be adapted to the application.
- The complete unit can be swung out of the way to allow an easy mold-change.
- If the compressed air supply fails, a Y-lock (check valve, controlled) prevents lowering of gripper arm and so a possible damage of gripper and/or mold.
- Extremely short take-out times (min. 0.3 sec) guarantee high productivity, especially with molds for high-speed production.
- Adaption to the injection molding machine via the mechanical interface Euromap 18 / SPI 3.0 and the electrical interface Euromap 12 / SPI 3.0.
- The user can easily perform his own installation and commissioning.

Options:

- special programs according to customer specification
- hand-held operating device with programming function incl. software
- extended X stroke  
(= 0 - 3.1 inch / 80 mm, adjustment 4.5 inch / 115 mm)
- vacuum unit
- parts monitoring

Subject to technical changes

<sup>1)</sup> if necessary change safety guards  
<sup>2)</sup> option adapter extension

## REMAK MASCHINENBAU GMBH

Darmstädter Strasse 72  
D-64354 Reinheim

Telefon: + 49 61 62 - 8 04 11  
Telefax: + 49 61 62 - 8 04 59



eMail: info@remak-online.de  
www.remak-online.de