

**REMAK**

*... Handling for Profit*



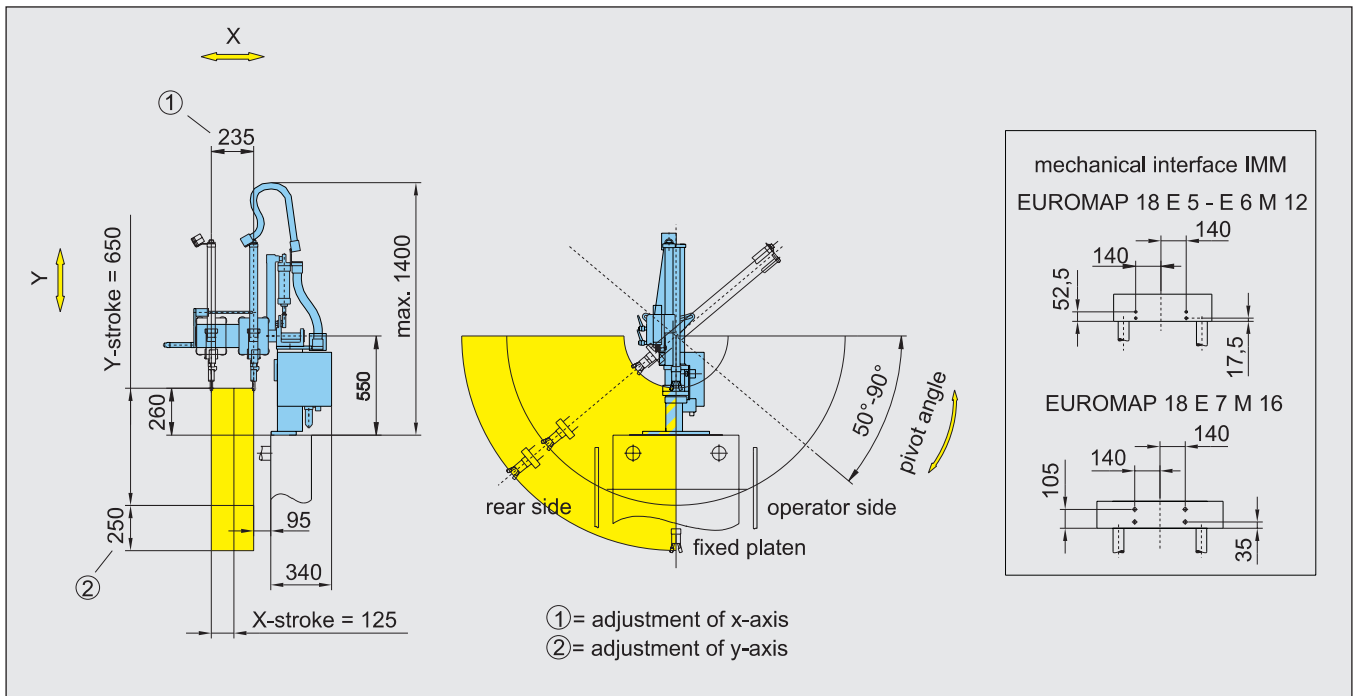
## Pick & Place

Component Removal-  
System

Sprue Removal-System

Series RX 11

# Specification Characteristics RX 11



Model		RX 11
Injection molding machine	tons kN	22 - 440 <sup>1)</sup> 200 - 4.000 <sup>1)</sup>
Demolding stroke X adjustable	inch mm	0 - 4.9 0 - 125
Adjustment of X stroke	inch mm	3 <sup>3</sup> / <sub>4</sub> - 13 95 - 330
Vertical stroke Y	inch mm	0 - 26 0 - 650
Pivot point	inch mm	21.7 (+2/+4) <sup>2)</sup> 550 (+50/+100) <sup>2)</sup>
Adjustment of Y stroke	inch mm	9.8 250
Pivot angle A		±50° - 90°
Arm rotation B (Option)		90°
Gripper functions	standard option	sprue picker vacuum
min. take-out time	s	0.9
min. cycle time	s	3.9
Cycles per minute		15
Working pressure (normal / max.)	PSI bar	87 / 100 6 / 7.5
max. pay load (6) reduced (if B-axis is used)	lbs/kg lbs/kg	2.2 / 1 (incl. EOAT) 1.7 / 0.75 (incl. EOAT)
max. air pressure	PSI bar	135 10
air consumption per cycle without vacuum	CF NI	0.05 1.35
Power supply		230/110 VAC, 60 Hz, 1 A
Protective system unit/control		IP 30 / IP 32
Weight	lbs kg	approx. 104 approx. 47

The special features of the REMAK pick & place unit RX 11 are:

1. REMAK SPS 2000 control allows to program and to store as many as 25 different sequence programs with freely selectable names. Digital input of times via key pad. Start / stop function at the end of record is possible, e.g. stop at the end of cycle. Existing programs can be copied and stored under another name. The operation is done via hand-held programming unit with key pad, 32 keys with LED, operator guidance, 2x 20-digit LCD display, illuminated. All displays - also error displays - in plain text.
2. Sprues and molded articles can be removed from fixed or moving half of the mold. The change-over can be easily performed by the user. The parts can be dropped either on the operator or non-operator side.
3. The RX11 units are fitted as standard with a sprue gripper and part monitor.
4. All parts with lifetime lubrication = maintenance-free
5. The complete unit can be swung out of the way to allow an easy mold-change.
6. If the compressed air supply fails, a Y-lock (check valve, controlled) prevents lowering of gripper arm and so damage of gripper and/or mold.
7. Extremely short take-out times (min. 0.9 sec) guarantee high productivity.
8. Adaption to the injection molding machine will take place via the mechanical interface Euromap 18 / SPI 3.0 and the electrical interface Euromap 12 / SPI 3.0.
9. The user can easily perform his own installation and commissioning.

Options:

- arm rotation B 90°
- vacuum generator (Venturi-System) for second gripper function.
- Part monitor using vacuum switch display
- adapter extension <sup>2)</sup> +2/+4 inch / +50/+100 mm
- external sprue cutting system
- many different EOATs/grippers
- stepping signal for conveyor (24V)

Subject to technical changes

<sup>1)</sup> if necessary change safety guards  
<sup>2)</sup> option adapter extension

## REMAK MASCHINENBAU GMBH

Darmstädter Strasse 72  
D-64354 Reinheim

Telefon: + 49 61 62 - 8 04 11  
Telefax: + 49 61 62 - 8 04 59



eMail: info@remak-online.de  
www.remak-online.de