

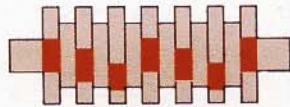
**MEISEI  
AMERICA**

# **MINICRUSHER**

BESIDE THE PRESS MATERIAL RECLAIM  
DESIGNED FOR AUTOMATED FEEDING OF RUNNERS

## **FUNCTION:**

ROTARY CUTTER



FIXED CUTTER



GRANULATION



## **FEATURES:**

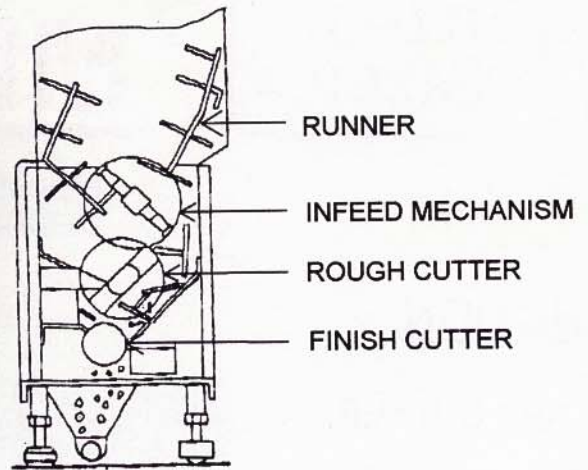
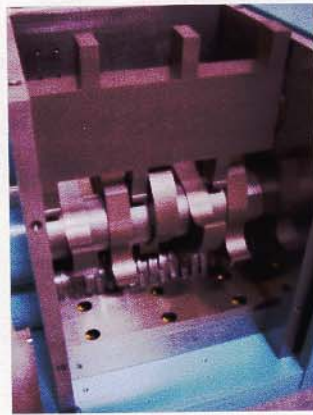
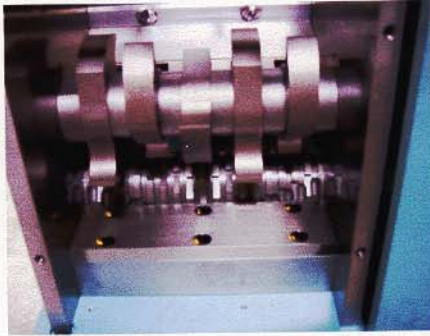
- COMPACT DESIGN
- HIGH TORQUE/ LOW SPEED
- HARDENED ALLOY CUTTERS
- NO SIZING SCREEN
- NO KNIFE SHARPENING
- NO KNIFE ADJUSTMENTS
- QUIET OPERATION
- EASY AND QUICK CLEANOUT

## **ADVANTAGES:**

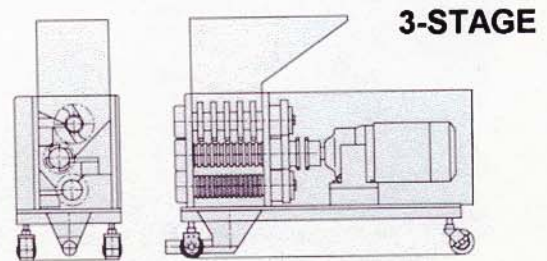
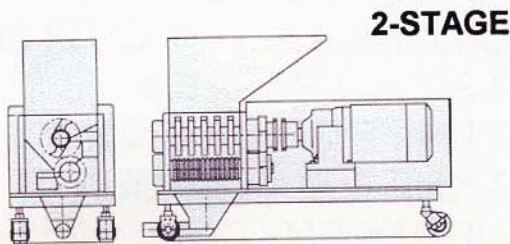
- HIGH QUALITY GRANULES
- NO DUST GENERATED
- NO LONG SECTIONS
- IMPROVED MOLDING STABILITY
- REDUCED SCRAP
- LOW POWER CONSUMPTION
- LABOR SAVING

## 2-STAGE WITH INFEEED MECHANISM

### 2-STAGE



The 2-stage consists of a rough and finish cutter. For larger runners that have a tendency to bridge there is the 2-stage with infeed mechanism. This design allows oversized runners to be processed by a Minicrusher that takes up very little floor space. The 3-stage consists of a rough, middle, and finish cutter. This design is used for very thick cross section sprues/ runners or reject parts. It also is recommended for soft materials such as thermoplastic elastomers.



## SPECIFICATIONS

| Model    | Design                           | Throughput | Motor  | Cutting chamber size |
|----------|----------------------------------|------------|--------|----------------------|
| FRX-A2   | 2-stage                          | 12 lbs/hr  | 1/2 hp | 120mm X 120mm        |
| FRX-B2   | 2-stage                          | 22 lbs/hr  | 1 hp   | 180mm X 180mm        |
| FRX-B3   | 3-stage                          | 34 lbs/hr  | 1 hp   | 180mm X 180mm        |
| FRX-C2   | 2-stage                          | 26 lbs/hr  | 1 hp   | 220mm X 220mm        |
| FRX-C3   | 3-stage                          | 48 lbs/hr  | 2 hp   | 220mm X 220mm        |
| FRX-D2   | 2-stage with<br>infeed mechanism | 34 lbs/hr  | 1 hp   | 220mm X 220mm        |
| FRX-E300 | 2-stage with<br>infeed mechanism | 44 lbs/hr  | 2 hp   | 300mm X 300mm        |

MEISEI AMERICA  
8525 KELSO DRIVE  
SUITE E  
BALTIMORE, MD 21221

PHONE: (410) 682-2400  
FAX : (410) 682-2410  
email : [meiseiamerica@aol.com](mailto:meiseiamerica@aol.com)